



CAESAR  
GUERINI

## TABLE OF CONTENTS

1	.....	Table of Contents
2	.....	Our Commitment
3-4	.....	Field Models
5	.....	Woodlander
6	.....	Tempio/Tempio Light
7	.....	Magnus/Magnus Light
8	.....	Maxum/Maxum Light
9	.....	Apex
10	.....	Forum
11	.....	Ellipse Limited
12	.....	Ellipse EVO/Ellipse EVO Light
13-14	.....	Sporting Clays Models
15	.....	Summit Sporting
16	.....	Summit Limited
17	.....	Summit Ascent
18	.....	Magnus Sporting
19	.....	Challenger Sporting
20	.....	Maxum Sporting
21	.....	Apex Sporting
22	.....	Forum Sporting
23	.....	Ellipse EVO Sporting
24	.....	Ellipse EVOLution Sporting
25-26	.....	Impact Models
27	.....	Summit Impact
28	.....	Challenger Impact
29	.....	Maxum Impact
30	.....	Impact Grades & Accessories
31-32	.....	Trap Models
33	.....	Summit Trap
34	.....	Challenger Trap
35	.....	Magnus Trap
36	.....	Maxum Trap
37	.....	Apex Trap
38	.....	Forum Trap
39-41	.....	Stock Dimensions
42-46	.....	Product Specifications
47-48	.....	Custom Shop
49-50	.....	Accessories
51-52	.....	Warranty/Programs
53-54	.....	Caesar Guerini: Brescia, Italy



## *Our Commitment...*



It is our commitment to an unending quest for excellence that makes a Caesar Guerini unique from all other Over and Unders. You can see it in the wood-to-metal fit, the deep lustrous blueing, and the flawless 26 lines-per-inch checkering. You can feel it in the precision of the internal parts machined from billet steel, as well as the lively balance and handling of our guns. Every Caesar Guerini shotgun goes through no less than 256 quality control checks assuring our product exceeds the demands of our customers.

Our real commitment to our customers is not in simply providing the best product possible. It is also in giving them a level of unprecedented customer service. From our industry leading warranty and ground breaking Pit Stop program, to our timely service measured in days not months. We strive to leave every customer, a satisfied customer. That is the Caesar Guerini commitment.



# FIELD MODELS

Caesar Guerini shotguns are backed up with a lifetime warranty and the acclaimed Pit Stop service program.

Multi gauge combination sets are available.

A special proprietary polishing process results in a deep lustrous blued finish

Light weight models feature forged aluminum frame and fore-end

26 lines-per-inch checkering

3" chambers (except 28 gauge)

Screwless and pinless blind side plates

Automatic safety (Optional)

Left hand, English straight, and custom stocks are available

Invisalloy clear protective finish.

Replaceable trunnions and locking lug

The trigger incorporates adjustments for take-up and over travel

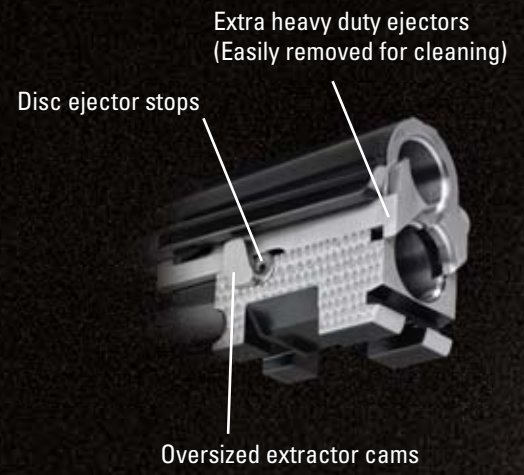
The fore-end incorporates an interchangeable insert in special hardened steel that makes it easy to tighten the shotgun if it becomes loose through years of very heavy use

Hammers and sears are precision machined from billet steel to ensure crisp trigger pulls

Rebounding hammers

Interceptor sears

Independent inertia block



Precision fit wood butt plate

Turkish walnut stocks with traditional high luster oil finish, applied by hand

Anson push-button fore-end release

Chrome lined chambers and bores

High performance nickel plated choke tubes. (5 included)



All Caesar Guerini shotguns, including the light models, undergo the 1320-bar high-pressure test at the Italian National Proof House



# WOODLANDER



At Caesar Guerini upland bird hunting is a passion. We wanted a gun that would truly reflect our love of fall coverts, autumn foliage, wet gundogs, and the smell of wood smoke. The Woodlander is the shotgun you imagine in such a setting. It was created to be a classic upland game gun for tight cover and fast-flushing birds. The color case hardened action exudes an understated elegance. It is embellished with a single gold ruffed Grouse executed in the Bulino style while nicely figured Turkish walnut featuring a traditional oil finish speaks of quality from a bygone era. The meticulously fitted wood butt plate allows for snag-free gun mounts and adds a custom look and feel. The Woodlander is also offered with an optional English straight stock. The lightweight barrels incorporate solid mid ribs to keep out debris, 7mm top rib in 12 gauge and 6mm top rib in sub gauges. If your priorities are traditional good looks and superior handling, then the Woodlander is the gun for you.



# TEMPIO/ TEMPIO LIGHT



Tempio



Tempio Light



Chosen by the Editors of Field and Stream Magazine as "Best of the Best" in Shotguns, the Tempio is designed to be a sleek and fast pointing shotgun in the field, the perfect companion for upland game hunters. Its low-profile receiver matched with a trim stock, classic Prince-of-Wales grip and schnable fore-end make the gun a perfect match for fast game birds. In the constant pursuit of perfection Caesar Guerini has decided to give the Tempio and Tempio Light a makeover. Utilizing advancements in metal finishes, the new Tempio features upgraded engraving on a hand polished coin finish action. The Tempio Light incorporates Guerini's proprietary process for engraving an alloy action shotgun with fine engraving. Both models are additionally finished with Invisalloy® for additional protection. On the mechanical side, the trigger is upgraded to a more elegant shape while also improving the trigger pull. The result is a fast handling game gun made in the classic tradition of fine shotguns.





# MAGNUS / MAGNUS LIGHT



Magnus



Magnus Light



The Magnus was designed to appeal to the discriminating hunter who appreciates a classic shotgun with timeless qualities. It features an elegantly sculpted sidelock style receiver with fine scroll engraving depicting Grouse, Quail, and Pheasant game scenes in gold against a richly colored case hardened finish. The unique sideplates have no pins or screws for a perfectly smooth receiver and uninterrupted engraving. The Magnus series receives a deluxe grade Turkish walnut stock with a traditional hand rubbed oil finish to enhance the highly figured grain. The Magnus Light version features an action and fore-end iron precision machined from high grade aluminum forgings and is finished in a rich satin nickel finish. Weight is reduced by approximately 20% making the shotgun fast handling and a pleasure to carry. All other features and dimensions are identical to the Magnus.

# MAXUM/MAXUM LIGHT



Maxum



Maxum Light



The Maxum is a true collector grade shotgun, featuring deep relief floral scroll hand finished engraving on the receiver, side plates, and fore-end assembly. The hand work and design are from the studios of the world renowned Italian engraving house, Bottega Incisioni C. Giovanelli. An elegant coin finish complements the strikingly detailed classic style engraving, creating a functional work of art. Balancing the beauty of the deeply sculpted engraving is a deluxe grade of Turkish walnut, featuring precision cut 26 lines-per-inch checkering and a natural oil finish hand rubbed to a stunning sheen. The new light weight version breaks new ground in the engraving techniques of aluminum action shotguns. The Maxum Light features three additional processes that bring out the contrast in the engraving, making it singularly unique in the world of double guns. The end result is a shotgun as attractive as the standard Maxum but, approximately a pound lighter.



# APEX



At Caesar Guerini we have a driving passion for innovation and elevating the gunmaker's art, and this commitment to quality has produced the new Apex. It has distinctly British lines with a trim pistol grip and our trim, rounded fore-end, but what really sets this gun apart is its revolutionary new full-length trigger guard. We've eliminated the screws for a clean, seamless look, and the end of the guard terminates in a perfectly fitted skeletal grip cap for a touch of elegance. The action is embellished with full-coverage engraving that incorporates no fewer than four different techniques, and the frame's hand-polished coin finish is treated to our new Invisalloy® coating, which makes the metal rust resistant while enhancing the contrast in the engraving. The Apex features a classically British style stock including a rounded fore-end for a sleek but functional profile.

# FORUM



Making an investment quality field shotgun like the Forum requires an unrelenting passion for precision, premium quality and attention to the smallest details available only from the best of skilled craftsmen and gunsmiths. The results can not be produced by even the most sophisticated computer controlled machines. Each Forum shotgun we create incorporates numerous hours of skilled hand labor. The engraving on the Forum has been enhanced to include more coverage and detail. The Forum Field also features our new revolutionary full-length trigger guard that is notably missing any screws for a clean seamless look. The end of the trigger guard terminates in a perfectly fitted skeletal grip cap, making for a uniquely elegant appearance. The Forum stock has a classic Prince-of-Wales style grip which matches perfectly with our trim rounded fore-end giving the gun distinctly British lines. The stock is completed with exactly cut extra fine checkering, checkered butt and a hand rubbed oil finish.



# ELLIPSE LIMITED



The new Caesar Guerini Ellipse series represents the next generation of the upland game gun. With a graceful rounded action and streamlined stock it handles, feels and looks like the world's best handmade round body shotguns. We obsessed over every aspect of the design, from the graceful lines of the stock to details as obscure as the shape of the trigger. This is not a quick makeover of our existing models; the barrels, action and stock are all different. The Limited is embellished with an understated border engraving pattern and is finished in case color with our Invalloy® protective finish. The stock is crafted from semi-deluxe Turkish walnut and finished in a hand rubbed oil finish. The result is an elegant round body shotgun reminiscent of fine British guns from years gone by.



# ELLIPSE EVO & LIGHT



Ellipse EVO



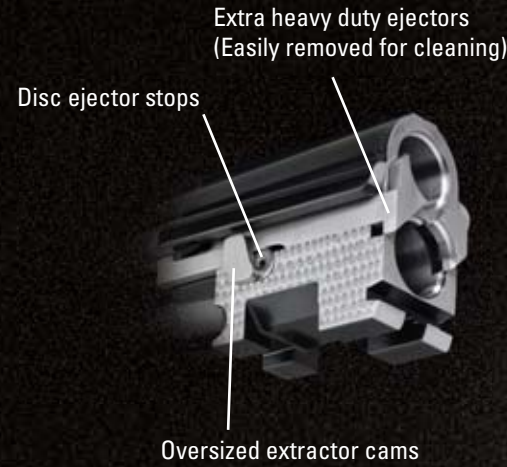
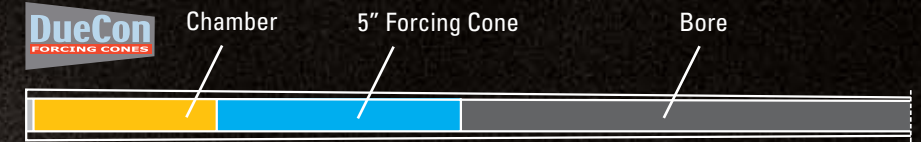
Ellipse EVO Light



Fast as a Grouse's wing tip, sleek as a Pheasant's tail feather - the new Caesar Guerini Ellipse EVO represents the next generation of upland game gun. With graceful rounded action and streamlined stock it handles, feels and looks like the worlds best handmade round body shotguns. We obsessed over every detail from the engraving created to accentuate the curve of the action to something as obscure as the shape of the trigger. This is not a quick makeover of our existing models; the barrels, action and stock are all different. The Ellipse is simply the evolution of the fine Over and Under hunting gun. With the EVO Light less is more. Less weight with an alloy action incorporating special stainless steel breech inserts for extended durability. The engraving and metal finishing uses the same advanced techniques as our Maxum Light to realize beauty rarely seen in alloy action guns.



# SPORTING CLAYS MODELS

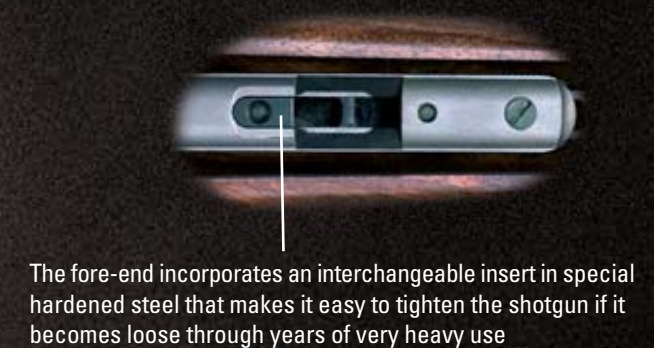


Caesar Guerini shotguns are backed up with a lifetime warranty and the acclaimed Pit Stop service program.

Multi gauge combination sets are available.



Optional DTS Kinetic Balancer system with multiple weights and micro adjustment. The system also includes kinetic recoil reduction and does not need to be removed to access the stock bolt when removing your stock.

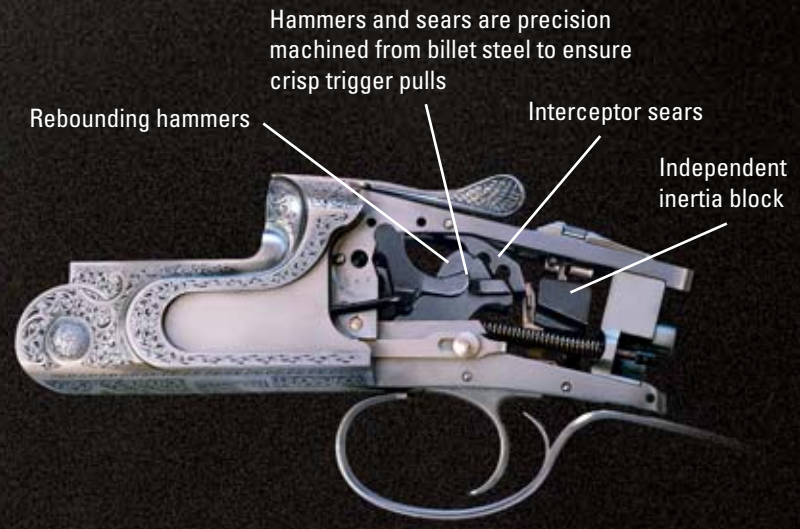


Turkish walnut stocks with traditional high luster oil finish, applied by hand

10mm parallel target top rib and ventilated mid-rib



.735" Maxis over bored barrels.



**PSF**  
1320 BAR

All Caesar Guerini shotguns, including the light models, undergo the 1320-bar high-pressure test at the Italian National Proof House.

Anson push-button fore-end release

Chrome lined chambers and bores

Competition choke tubes with conical-parallel design.





# SUMMIT SPORTING



The Summit Sporting is an efficient tool designed to accomplish only one task: breaking targets. Every feature is carefully conceived and executed. The receiver is designed to withstand a lifetime of competitive shooting. When you compare the thick receiver walls and large bearing surfaces with any other Over and Under, it becomes clear this gun is designed for durability. No matter how unlikely they are to wear out, the trunnions and locking lugs can be easily replaced. The stock includes palm swell, cast off, and toe rotation for either a right or, as an option, a left hand shooter. Each barrel length is designed to balance perfectly while offering stability, and the 12 gauge models feature our new Maxis Bore/Choke System. Our small gauge sporters are even offered with 32" barrels. The elegantly sculpted boxlock receiver is embellished with a neo-modern style engraving created by world famous master engraver Dario Cortini.

# SUMMIT LIMITED



•Shown with optional adjustable comb



The Summit Limited embodies all the balance, quick handling and accurate performance qualities of the popular Summit Sporting and adds a deluxe grade of oil finished, hand rubbed Turkish walnut with a richly colored case hardened receiver to create a stunning sporting Over and Under. The same weight, feel and clay crushing performance of the standard Summit Sporting are inherent features of the Summit Limited. The 12-gauge version incorporates Caesar Guerini's new Maxis Bore/Choke System for enhanced performance. This new barrel incorporates a .735 bore diameter with a longer choke system calibrated to the larger bore. The 12 gauge stocks have also been reconfigured to offset the slight increase in barrel weight. The 12 gauge models are offered in 30, 32, or 34 inch lengths while small gauge models are available in 30 and 32 inch. A two-barrel 20/28 gauge combo set is available as well as a three-barrel 20/28/.410 set.



# SUMMIT ASCENT



The Summit Ascent is everything you want from a modern sporting clays shotgun without the additional cost of an adjustable point-of-impact rib. The 10mm high tapered top rib is designed to shoot at 50/50% point-of-impact allowing for an upright shooting position and improved target visibility, making it the perfect sporting clays gun. Additionally, the rib is tapered from 10mm to 8mm at the muzzle. The Monte Carlo style stock incorporates the DTS adjustable comb to make sure a variety of shooters can adjust the gun to fit precisely. The mass in the stock and barrels are engineered so the gun will balance perfectly while the DTS Kinetic Balancer and barrel weights are available as an option to fine tune the Ascent to any shooter's style. With a long list of winning features the Ascent is taking sporting clays to the next level.

# MAGNUS SPORTING



The Magnus Sporting has all the performance and durability qualities of the Summit and Summit Limited, but is strikingly elegant with a classically designed side plate receiver. Our unique screwless and pinless receiver side plates enable the stock to be removed as easily as a standard boxlock and allows for an uninterrupted engraving surface that lends beauty to an already functional firearm. The receiver is embellished with fine scroll engraving featuring gold Grouse, Quail, and Pheasant game scenes executed in the Bulino style. If you appreciate a sporting gun that is distinctive from all the others with its beautifully figured walnut and tasteful engraving, the Magnus Sporting is your gun, the shotgun of choice. Our sporting clays barrels feature a 10mm parallel top rib and ventilated mid ribs. Five inch forcing cones come standard. As with all 12 gauge sporting guns, the Magnus Sporting incorporates the new Maxis Bore/Choke System for improved performance.



# CHALLENGER SPORTING



Some shooters accuse Caesar Guerini of focusing on the cosmetics of our guns. Our reply is "guilty as charged". It is our policy to pursue excellence in all aspects of our firearms, both what can be seen and what you experience when you pull the trigger. The Challenger grade has been designed to appeal to the target shooter with a bold Acanthus leaf pattern on a fine Inglesina scroll background. All of the hand polished coin finished metal surfaces are finished in Invisalloy® protective finish for years of carefree service. Additionally, the new Challenger comes standard with the DTS trigger system that reduces trigger pull weight and creep. The aesthetics of a gun might not be the most important issue, but life is too short to shoot an ugly gun.

# MAXUM SPORTING



The Maxum Sporting is truly a stunning Over and Under shotgun. The deep relief gothic scroll hand finished engraving on the receiver, side plates, and fore-end assembly make this sporting gun unique among others on the clays course. The handwork and design are from the studios of the world renowned Italian engraving house, Bottega Incisioni C. Giovanelli. The coin finish frame is painstakingly hand polished. Balancing the beauty of the deeply sculpted engraving is a deluxe grade of Turkish walnut, featuring precision cut 26 lines-per-inch checkering and a natural oil finish, hand rubbed to a sheen that enhances the highly figured wood grain. The Maxum Sporting is available in 12, 20 and 28 gauge; 12 gauge models feature the new Maxis Bore/Choke System and are offered in barrels up to 34" for the serious competitor. Combination two-barrel sets in 20/28 gauge and three-barrel 20/28/.410 gauge sets are also available.





# APEX SPORTING



The same passion for innovation that created the Apex field gun went into the design of the new Apex Sporting. This model's high-grade Turkish walnut stock gets a classic oil finish, and the matching fore-end has a trim, rounded profile for perfect balance and handling. The stock also features our revolutionary new full-length trigger guard that dispenses with screws to produce a clean, seamless look, and for a touch of elegance the guard terminates in a perfectly fitted skeletal grip cap. The action is embellished with full-coverage engraving that employs no fewer than four different techniques to attain the desired result. The frame is rendered in a hand-polished coin finish with our new Invisalloy® coating that makes the metal rust resistant and at the same time enhances the contrast in the engraving.

# FORUM SPORTING



The Forum Sporting Over and Under reflects our relentless passion for precision, premium quality and attention to the smallest details available only from the best of skilled craftsmen and gunsmiths. The Forum Sporting is in a class by itself, a remarkable creation that combines the legendary Italian gunmakers' craft with technologically advanced manufacturing processes to produce a firearm that truly is a work of art. Each Forum created incorporates numerous hours of skilled hand labor. Every surface is hand polished, even many areas hidden from view, and every Forum's components are hand fitted to insure flawless operation. The premium coin finished receiver and side plates are embellished with full coverage hand engraving featuring Bulino style game scenes framed in a graceful floral scroll. The Forum Sporting also incorporates a full tang trigger guard with hand engraving and is meticulously inletted into a stock of premium grade Turkish walnut.



# ELLIPSE EVO SPORTING



If the Impact Sporting with all its adjustability and technological advancements is your type of gun, the EVO Sporting is not. It is designed with an emphasis on classic lines and impeccable handling. The EVO feels like an extension of your arms with natural handling characteristics that seem to put the shot pattern where you are looking every time. The trim rounded fore-end keeps the leading hand near the barrels enhancing instinctive pointing while the open radius pistol grip keeps the trailing hand in line with the barrels. The unventilated top rib appears to be a traditional "solid" top rib, but is actually a hollow structure designed to reduce the barrel weight and enhance heat dissipation. There will be some shooters that don't get it, but if you are one of the few that understand this approach to sporting clays, the EVO Sporting is the gun for you.

# ELLIPSE EVOLUTION



To evolve you need to focus on how change can bring improvement. The game of Sporting Clays is changing and more importantly so is the shooter. Equipment must keep up with the demands of the sport and that is exactly what the new Evolution Sporting accomplishes. The Evolution's new wider frame with thicker walls add strength and durability. The new rib geometry enhances rigidity and a centrally located rib stabilization system reduces flex and vibration. Not only is the unique rounded action visually attractive, but it also distributes recoil forces between the stock and frame more efficiently making for a more durable and low recoiling shotgun.



# IMPACT MODELS



All Caesar Guerini shotguns, including the light models, undergo the 1320-bar high-pressure test at the Italian National Proof House.

Caesar Guerini shotguns are backed by a lifetime warranty and the acclaimed Pit Stop service program.

20 gauge version available



The Unsingle barrel allows point-of-impact adjustment from 50/50 to 120% high, making any Impact shotgun a state-of-the-art trap gun.

The multi-axis DTS comb allows for the adjustment of: offset, cast, comb height, and comb drop. But adjustability is not helpful unless the system is rugged. The DTS comb hardware is light but extremely simple and strong; designed to stay exactly where you set it.

Optional "No Impact" soft comb available.

Optional DTS Kinetic Balancer system with multiple weights and micro adjustment. The system also includes kinetic recoil reduction and does not need to be removed to access the stock bolt when removing your stock.



Left hand and custom stock dimensions are available.

Selective and non-selective triggers are available.

5" long dual conical forcing cones for reduced recoil and improved patterns.

17mm tall DTS rib allows for a more upright and comfortable shooting position while improving visibility.

Interchangeable trunnions and locking lug.

Interchangeable fore-end inserts allows the action to be tightened.

Optional factory selective release triggers available in single and double release.

A specialized "Skeet" trigger is standard on the skeet models and optional on all 12 gauge frames.

DTS Rib adjusts from a 50/50 to 90/10% pattern by simple turning one screw.

New DTS trigger system with two trigger pull weight options, take up, over travel, and length of pull adjustments.

Interchangeable DTS weight rods allow the barrel weight and balance to be adjusted.

Vibration dampener

Hammers and sears are precision machined from billet steel to ensure crisp trigger pulls.

Rebounding hammers

Interceptor sears

Independent inertia block

A trap style semi-beavertail fore-end is standard on the type-T Impacts.

.735" Maxis oversized bore with chrome lining for optimal ballistic performance.

100 % of our barrels are tested and certified for correct point-of-impact regulation.

Maxis choke system with conical-parallel design and crowned exit radius for maximum pattern performance. A friction wrench with thread cleaner is supplied.





# SUMMIT IMPACT



Webster's Dictionary defines impact as "The force exerted by a new idea, concept, technology, or ideology". What is in a name? A name can be nothing more than a fanciful idea or it can have substance and meaning. The Caesar Guerini Impact is designed to change the way a modern clay target shooter approaches the game. The gun is designed to adapt to the shooter and the conditions with a wide range of adjustability. The rib, stock, trigger, chokes, weight and balance can all be easily adjusted to perfectly fit the shooter. Additionally, the higher rib design improves the shooter's visibility while reducing felt recoil and allowing the shooter to have a comfortable upright stance. Without a doubt, the Impact redefines the target shotgun.

# CHALLENGER IMPACT



Some shooters accuse Caesar Guerini of focusing on the cosmetics of our guns. Our reply is "guilty as charged". It is our policy to pursue excellence in all aspects of our firearms, both what can be seen and what you experience when you pull the trigger. The Challenger grade has been designed to appeal to the target shooter with a bold Acanthus leaf pattern on a fine Inglesina scroll background. All of the hand polished coin finished metal surfaces are finished in Invisalloy® protective finish for years of carefree service. Additionally, the new Challenger comes standard with the DTS trigger system that reduces trigger pull weight and creep. The aesthetics of a gun might not be the most important issue, but life is too short to shoot an ugly gun.



## MAXUM IMPACT



The Impact Maxum Sporting is truly a stunning Over and Under shotgun. The deep relief Italianate style Ornato scroll engraving on the receiver, side plates, and fore-end assembly make this sporting gun unique among others on the clays course. The design is from the studios and artisans of the world renowned Italian engraving house, Bottega Incisioni C. Giovanelli. The coin finish frame is painstakingly hand polished and protected by Caesar Guerini's Invisalloy® coating. Balancing the beauty of the deeply sculpted engraving is a deluxe grade of Turkish walnut, featuring precision cut 26 lines-per-inch checkering and a natural oil finish, hand rubbed to a sheen that enhances the highly figured wood grain. The Impact Maxum Sporting is available in 12 and 20 gauge; 12 gauge models feature the new Maxis Bore/Choke System and are offered in 30", 32", and 34" for the serious competitor.

## SUMMIT IMPACT SPORTING



The Impact Sporting features a thin rounded fore-end and light barrels to enhance its natural pointing characteristics. A 20 gauge version is also available with 32" barrels and small gauge tube sets are available for the 12 gauge guns. The 12 gauge version comes in your choice of 30", 32", and 34" barrels.

## SUMMIT IMPACT SKEET



The Impact Skeet is offered with a semi-beavertail fore-end and a selection of 28", 30" or 32" barrels. The trigger is a hybrid design that combines the best attributes of mechanical and inertia trigger designs for reliable functioning with even the lightest loads. A popular option is the full Skeet set that includes Briley Ultra Light skeet tubes and DTS kinetic balancer all in a customized Americase.

## SUMMIT IMPACT TRAP



The Impact Trap offers a mid-height rib alternative to our standard trap model at 17mm high vs. 25mm. Amazingly the Impact has the same range of point-of-impact adjustability as our high rib trap guns due to a new rib mechanism. Additionally, there is an unsingle barrel available in a combo set. The Over and Under comes with 32" barrels and the unsingle is offered in 34".



# TRAP MODELS

The multi-axis DTS comb allows for the adjustment of: offset, cast, comb height, and comb drop. But adjustability is not helpful unless the system is rugged. The DTS comb hardware is light but extremely simple and strong; designed to stay exactly where you set it.



Over/Under - Optional Barrel



Unsingle - Optional Barrel



NEW - Top Single - Optional Barrel

Lifetime limited warranty and free Pit Stop tune-ups.

Selective and non-selective triggers are available.

All barrels and frames are nitro proof tested at 19,140+ p.s.i.

5" long dual conical forcing cone for the perfect balance of velocity and recoil reduction.

Optional DTS Kinetic Balancer system with multiple weights and micro adjustment. The system also includes kinetic recoil reduction and does not need to be removed to access the stock bolt when removing your stock.



Interchangeable trunnions and locking lug.

Interchangeable fore-end inserts allows the action to be tightened.

Optional factory selective release triggers available in single and double release.

New DTS trigger system with two trigger pull weight options, take up, over travel, and length of pull adjustments.

Once the proper rib height and angle is obtained you can choose to lock it into place with a locking screw.

20mm ventilated recoil pad incorporating soft rubber compound for recoil absorption.

Left hand and custom stock dimensions are available.

The DTS rib allows the point-of-impact to be adjusted to an industry leading 60/40 to 120% to precisely fit your shooting style. Adjustment is accomplished by simply turning an elevation wheel with positive detents and clear incremental markings.

Vibration dampening bushings.

Hammers and sears are precision machined from billet steel to ensure crisp trigger pulls.

Rebounding hammers

Interceptor sears

Independent inertia block



All Caesar Guerini shotguns, including the light models, undergo the 1320-bar high-pressure test at the Italian National Proof House.

.735" Maxis oversized bore with chrome lining for optimal ballistic performance.

100 % of our barrels are tested and certified for correct point-of-impact regulation.

Maxis choke system with conical-parallel design and crowned exit radius for maximum pattern performance. A friction wrench with thread cleaner is supplied.



# SUMMIT TRAP



The Summit is our no compromise competition model. It is designed for the shooter who puts a premium on performance. The extensive list of features all work together in unison, reflecting our goal of making you the best shooter you can possibly be. The DTS (Dynamic Tuning System) allows any shooter to tailor the gun to their individual style. The rib adjusts the point of impact from 60/40% to over 100% while the DTS comb system moves four ways; comb height, drop, offset, and cast. The trigger is the heart of a trap gun. We have designed the Summit trigger system to meet the most demanding expectations with adjustable take-up, over-travel, and reach. Another key issue for the serious trap shooter is durability. The Summit is designed to meet the high volume demands of thousands of rounds a year. Oversized locking lug, rock solid ejectors, combined with modular wear points allow the Summit to be a durable and reliable shooting tool.

# CHALLENGER TRAP



Some shooters accuse Caesar Guerini of focusing on the cosmetics of our guns. Our reply is "guilty as charged". It is our policy to pursue excellence in all aspects of our firearms, both what can be seen and what you experience when you pull the trigger. The Challenger grade has been designed to appeal to the target shooter with a bold Acanthus leaf pattern on a fine Inglesina scroll background. All of the hand polished coin finished metal surfaces are finished in Invisalloy® protective finish for years of carefree service. Additionally, the new Challenger comes standard with the DTS trigger system that reduces trigger pull weight and creep. The aesthetics of a gun might not be the most important issue, but life is too short to shoot an ugly gun.



# MAGNUS TRAP



The Magnus Trap incorporates all of the performance and features of our Summit Trap gun. The DTS (Dynamic Tuning System) allows a shooter to tailor the gun to their individual needs. In addition the Magnus Trap has a traditional, richly colored case hardened action, engraved with scroll and game scenes featuring Grouse, Quail, and Pheasant in gold. The action includes our unique blind side plates, devoid of pins and screws. This creates an uninterrupted engraving surface and allows the stock to easily be removed from the receiver with only a simple T-handle wrench. The Magnus Trap is upgraded with a deluxe grade of Turkish walnut featuring a hand rubbed oil finish. As with all new Caesar Guerini target guns, the Magnus Trap includes the new Maxis Bore/Choke system, providing the ultimate ballistic performance. If you are looking for a gun that provides an elegant style as well as durability, then the Magnus Trap is the gun for you.

# MAXUM TRAP



With comments like "There is nothing about this gun I do not like", "Scary how well this gun shoots", and "Wow! What a dream gun" it is obvious the *Outdoor Life Magazine* test team feels the same as we do about the Maxum Trap. They felt strongly enough to award it the prestigious 2007 Editors Choice award for best shotgun. The coin finish action is painstakingly hand polished, then engraved with an original design by famous master engraver Dario Cortini. The result is a stunning, deep relief scroll and ribbon, full coverage engraved action that is enhanced by an upgraded extra-deluxe grade of Turkish walnut. The Maxum Trap excels on the trap line too. The Dynamic Tuning System, featuring an adjustable rib and comb system, allows any shooter to customize the gun to their shooting style. As with all of our trap models, the Maxum can be ordered with a factory release trigger and left hand stock as an option.



# APEX TRAP



The same passion for innovation that created the Apex Field and Sporting model went into the design of the Apex Trap. This model's high-grade Turkish walnut stock gets a classic oil finish, and the matching fore-end in a semi-beavertail contour for perfect balance and handling. The stock also features our revolutionary new full-length trigger guard that dispenses with screws to produce a clean, seamless look, and for a touch of elegance the guard terminates in a perfectly fitted skeletal grip cap. The action is embellished with full-coverage engraving that employs no fewer than four different techniques to attain the desired result. The frame is rendered in a hand-polished coin finish with our new Invisalloy® coating that makes the metal rust resistant and at the same time enhances the contrast in the engraving.

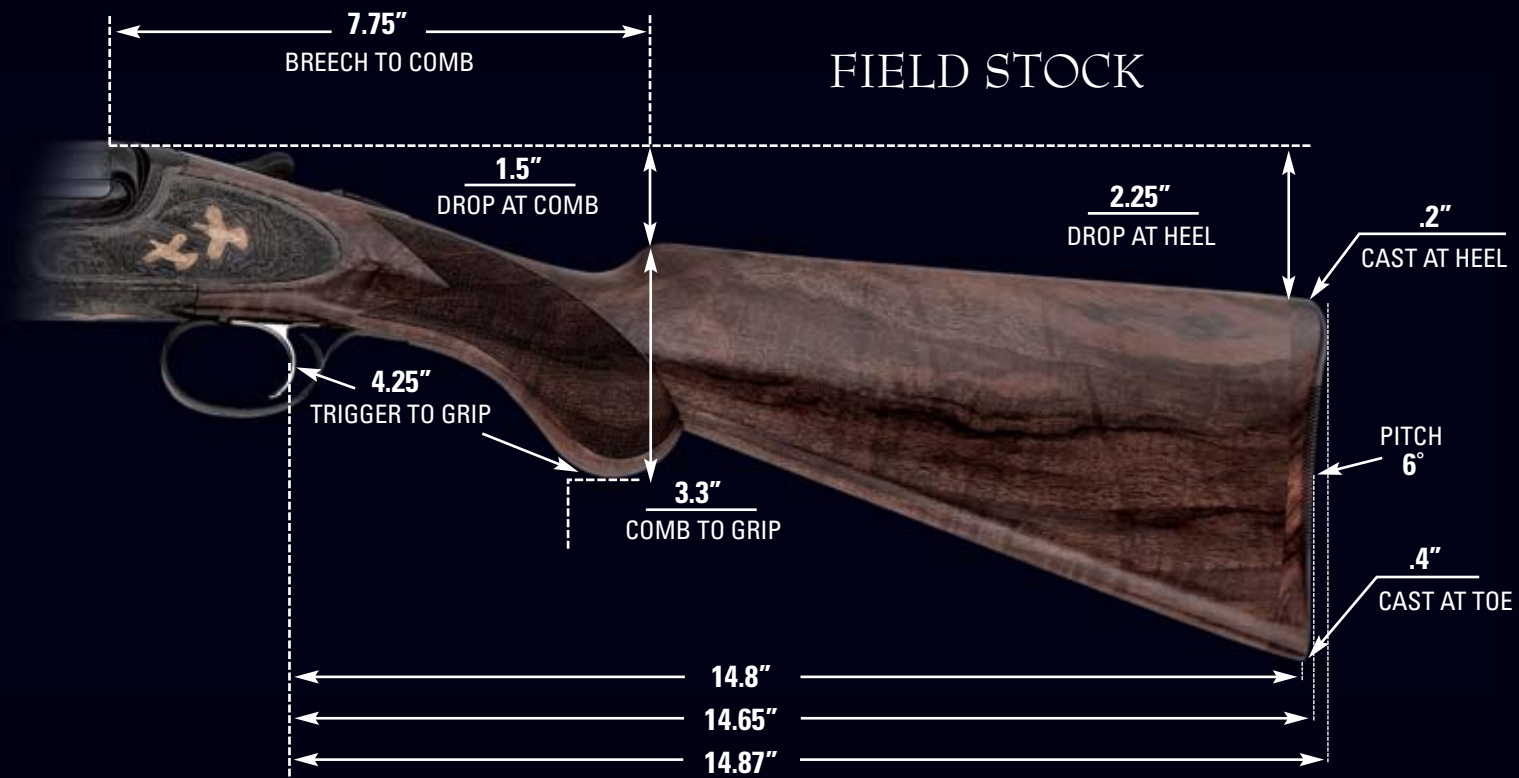
# FORUM TRAP



The Forum Trap is for the shooter that recognizes quality and appreciates old world craftsmanship. We put special care into every part of the manufacturing process of the Forum. From the selection of the rare grade of deluxe walnut to the hours of hand engraving, each gun gets special attention. The action, long trigger guard, and fore-end iron are all enhanced with full coverage decorative scroll engraving. All of the hand polished coin finish surfaces are coated with Invisalloy® to prevent rust and tarnishing. The pistol grip features a graceful skeletalized grip cap. This obsession with details makes every Forum a special firearm. However, such attention to detail dictates that production is limited to a handful of guns every year. Of course customization is available by special order.



# STOCK DIMENSIONS



# STOCK DIMENSIONS

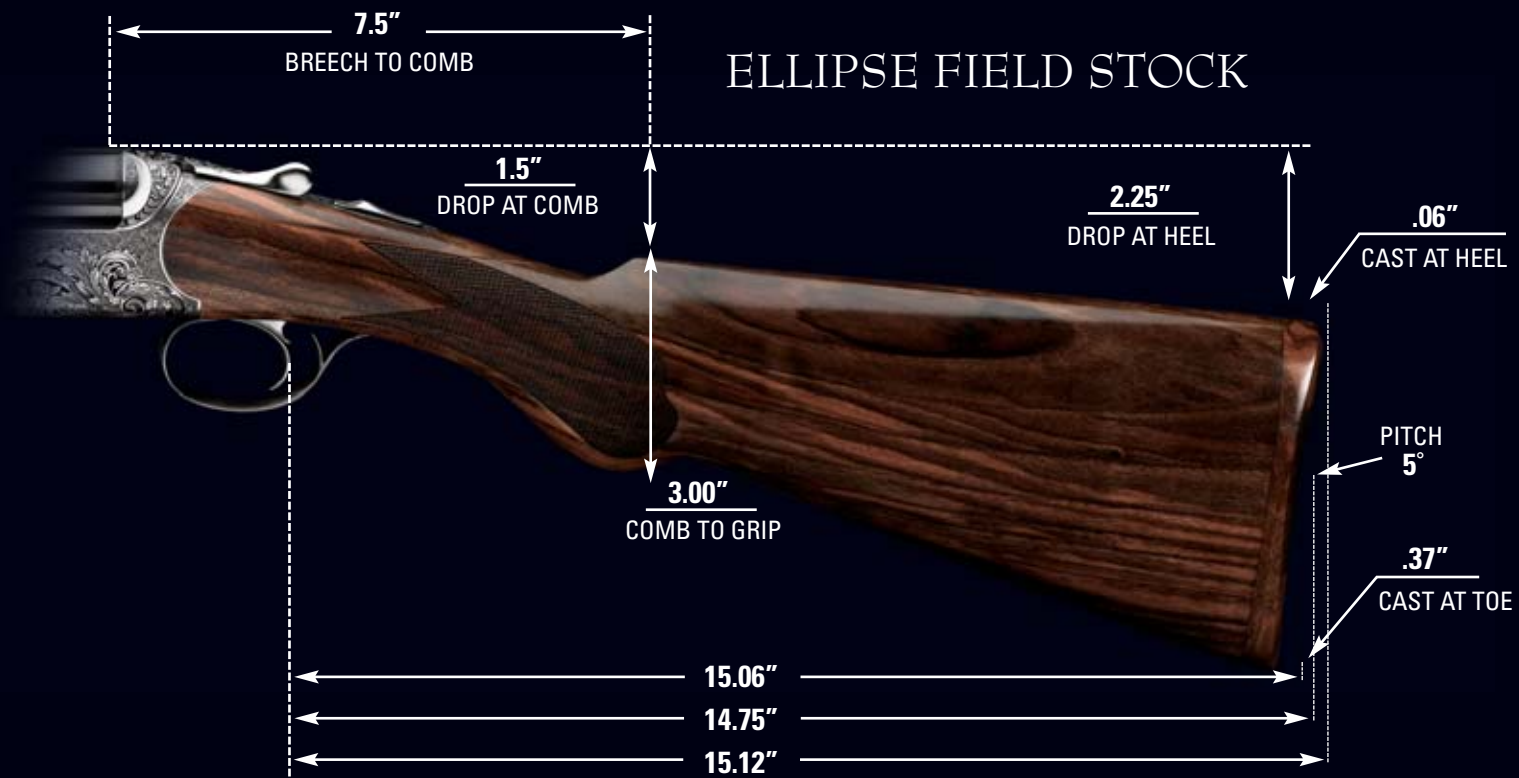


Stock dimensions are based on 12 gauge. Stock dimensions are approximate and subject to change without notice.

Stock dimensions are based on 12 gauge. Stock dimensions are approximate and subject to change without notice. All measurements are made with adjustable ribs in the open position.



# STOCK DIMENSIONS



Stock dimensions are based on 12 gauge. Stock dimensions are approximate and subject to change without notice.

# Product Specifications and Codes

## WOODLANDER

Product Code	Gauge	Weight	Barrel Length	Chamber Length	Wood Grade	Chokes
A11131	12	6lbs. 14 oz.	28"	3"	Semi-Deluxe	CYL, IC, M, IM, F
A11321	20	6lbs. 7oz.	26"	3"	Semi-Deluxe	CYL, IC, M, IM, F
A11331	20	6lbs. 10oz.	28"	3"	Semi-Deluxe	CYL, IC, M, IM, F
A11341	20	6lbs. 12oz.	30"	3"	Semi-Deluxe	CYL, IC, M, IM, F
A11531	28	6lbs. 5oz.	28"	2 3/4"	Semi-Deluxe	CYL, IC, M, IM, F
A11541	28	6lbs. 7oz.	30"	2 3/4"	Semi-Deluxe	CYL, IC, M, IM, F
A11831	20/28	6lbs. 6oz. – 6lbs. 10oz.	28"	2 3/4" and 3"	Semi-Deluxe	CYL, IC, M, IM, F
A11931	20/28/.410	6lbs. 6oz. – 6lbs. 10oz.	28"	2 3/4" and 3"	Semi-Deluxe	CYL, IC, M, IM, F

## TEMPIO

A12121	12	6lbs. 14oz.	26"	3"	Deluxe	CYL, IC, M, IM, F
A12131	12	7lbs.	28"	3"	Deluxe	CYL, IC, M, IM, F
A12141	12	7lbs.	30"	3"	Deluxe	CYL, IC, M, IM, F
A12321	20	6lbs. 7oz.	26"	3"	Deluxe	CYL, IC, M, IM, F
A12331	20	6lbs. 10oz.	28"	3"	Deluxe	CYL, IC, M, IM, F
A12341	20	6lbs. 12oz.	30"	3"	Deluxe	CYL, IC, M, IM, F
A12531	28	6lbs. 5oz.	28"	2 3/4"	Deluxe	CYL, IC, M, IM, F
A12541	28	6lbs. 7oz.	30"	2 3/4"	Deluxe	CYL, IC, M, IM, F
A12631	.410	6lbs. 6oz.	28"	3"	Deluxe	CYL, IC, M, IM, F
A12831	20/28	6lbs. 6oz. – 6lbs. 10oz.	28"	2 3/4" and 3"	Deluxe	CYL, IC, M, IM, F
A12931	20/28/.410	6lbs. 6oz. – 6lbs. 10oz.	28"	2 3/4" and 3"	Deluxe	CYL, IC, M, IM, F

## TEMPIO LIGHT

A52131	12	6lbs.	28"	3"	Deluxe	CYL, IC, M, IM, F
A52331	20	5lbs. 10oz.	28"	3"	Deluxe	CYL, IC, M, IM, F
A52531	28	5lbs. 5oz.	28"	2 3/4"	Deluxe	CYL, IC, M, IM, F
A52831	20/28	5lbs. 5oz. – 5lbs. 10oz.	28"	2 3/4" and 3"	Deluxe	CYL, IC, M, IM, F

## MAGNUS

A13131	12	7lbs.	28"	3"	Deluxe	CYL, IC, M, IM, F
A13141	12	7lbs.	30"	3"	Deluxe	CYL, IC, M, IM, F
A13321	20	6lbs. 7oz.	26"	3"	Deluxe	CYL, IC, M, IM, F
A13331	20	6lbs. 10oz.	28"	3"	Deluxe	CYL, IC, M, IM, F
A13341	20	6lbs. 12oz.	30"	3"	Deluxe	CYL, IC, M, IM, F
A13531	28	6lbs. 5oz.	28"	2 3/4"	Deluxe	CYL, IC, M, IM, F
A13541	28	6lbs. 7oz.	30"	2 3/4"	Deluxe	CYL, IC, M, IM, F
A13831	20/28	6lbs. 6oz. – 6lbs. 10oz.	28"	2 3/4" and 3"	Deluxe	CYL, IC, M, IM, F
A13841	20/28	6lbs. 7oz. – 6lbs. 12oz.	30"	2 3/4" and 3"	Deluxe	CYL, IC, M, IM, F
A13931	20/28/.410	6lbs. 6oz. – 6lbs. 10oz.	28"	2 3/4" and 3"	Deluxe	CYL, IC, M, IM, F

## MAGNUS LIGHT

A53121	12	5lbs. 14oz.	26"	3"	Deluxe	CYL, IC, M, IM, F
A53131	12	6lbs.	28"	3"	Deluxe	CYL, IC, M, IM, F
A53321	20	5lbs. 7oz.	26"	3"	Deluxe	CYL, IC, M, IM, F
A53331	20	5lbs. 10oz.	28"	3"	Deluxe	CYL, IC, M, IM, F
A53521	28	5lbs. 4oz.	26"	2 3/4"	Deluxe	CYL, IC, M, IM, F
A53531	28	5lbs. 5oz.	28"	2 3/4"	Deluxe	CYL, IC, M, IM, F
A53621	.410	5lbs. 4oz.	26"	3"	Deluxe	CYL, IC, M, IM, F
A53631	.410	5lbs. 6oz.	28"	3"	Deluxe	CYL, IC, M, IM, F
A53831	20/28	5lbs. 5oz. – 5lbs. 10oz.	28"	2 3/4" and 3"	Deluxe	CYL, IC, M, IM, F
A53931	20/28/.410	5lbs. 5oz. – 5lbs. 10oz.	28"	2 3/4" and 3"	Deluxe	CYL, IC, M, IM, F

## MAXUM

A14131	12	7lbs.	28"	3"	Deluxe	CYL, IC, M, IM, F
A14141	12	7lbs.	30"	3"	Deluxe	CYL, IC, M, IM, F
A14331	20	6lbs. 10oz.	28"	3"	Deluxe	CYL, IC, M, IM, F
A14531	28	6lbs. 5oz.	28"	2 3/4"	Deluxe	CYL, IC, M, IM, F
A14831	20/28	6lbs. 6oz. – 6lbs. 10oz.	28"	2 3/4" and 3"	Deluxe	CYL, IC, M, IM, F
A14931	20/28/.410	6lbs. 6oz. – 6lbs. 10oz.	28"	2 3/4" and 3"	Deluxe	CYL, IC, M, IM, F



## Product Specifications and Codes

### MAXUM LIGHT

Product Code	Gauge	Weight	Barrel Length	Chamber Length	Wood Grade	Chokes
A54131	12	6lbs	28"	3"	Deluxe	CYL, IC, M, IM, F
A54331	20	5lbs. 10oz.	28"	3"	Deluxe	CYL, IC, M, IM, F
A54531	28	5lbs. 5oz.	28"	2 3/4"	Deluxe	CYL, IC, M, IM, F
A54831	20/28	5lbs. 5oz. - 5lbs. 10oz.	28"	2 3/4" - 3"	Deluxe	CYL, IC, M, IM, F
A54931	20/28/410	5lbs. 5oz. - 5lbs. 10oz.	28"	2 3/4" - 3"	Deluxe	CYL, IC, M, IM, F

### APEX

A1C131	12	7lbs.	28"	3"	Deluxe	CYL, IC, M, IM, F
A1C331	20	6lbs. 10oz.	28"	3"	Deluxe	CYL, IC, M, IM, F
A1C531	28	6lbs. 5oz.	28"	2 3/4"	Deluxe	CYL, IC, M, IM, F

### FORUM

A15131	12	7lbs.	28"	3"	Extra-Deluxe	CYL, IC, M, IM, F
A15331	20	6lbs. 10oz.	28"	3"	Extra-Deluxe	CYL, IC, M, IM, F
A15531	28	6lbs. 5oz.	28"	2 3/4"	Extra-Deluxe	CYL, IC, M, IM, F
A16831	20/28	6lbs. 6oz. - 6lbs. 10oz.	28"	2 3/4" and 3"	Extra-Deluxe	CYL, IC, M, IM, F
A16931	20/28/410	6lbs. 6oz. - 6lbs. 10oz.	28"	2 3/4" and 3"	Extra-Deluxe	CYL, IC, M, IM, F

### ELLIPSE LIMITED

A93331	20	6lbs. 10oz.	28"	3"	Deluxe	CYL, IC, M, IM, F
A93531	28	6lbs. 5oz.	28"	2 3/4"	Deluxe	CYL, IC, M, IM, F
A93831	20/28	6lbs. 6oz. - 6lbs. 10oz.	28"	2 3/4" and 3"	Deluxe	CYL, IC, M, IM, F

### ELLIPSE EVO

A94131	12	7lbs	28"	3"	Deluxe	CYL, IC, M, IM, F
A94331	20	6lbs. 10oz.	28"	3"	Deluxe	CYL, IC, M, IM, F
A94531	28	6lbs. 5oz.	28"	2 3/4"	Deluxe	CYL, IC, M, IM, F
A94831	20/28	6lbs. 6oz. - 6lbs. 10oz.	28"	2 3/4" and 3"	Deluxe	CYL, IC, M, IM, F

### ELLIPSE EVO LIGHT

A5E331	20	5lbs. 10oz.	28"	3"	Deluxe	CYL, IC, M, IM, F
A5E531	28	5lbs. 5oz.	28"	2 3/4"	Deluxe	CYL, IC, M, IM, F

### ELLIPSE EVO SPORTING

A94144	12	7lbs. 14oz.	30"	2 3/4"	Deluxe	CYL, SK, 2-IC, LM, M
A94154	12	8lbs.	32"	2 3/4"	Deluxe	CYL, SK, 2-IC, LM, M

### ELLIPSE EVOLUTION SPORTING

A94155	12	8lbs. 6oz.	32"	2 3/4"	Deluxe	CYL, SK, 2-IC, LM, M
--------	----	------------	-----	--------	--------	----------------------

### SUMMIT SPORTING

A21144	12	7lbs. 14oz.	30"	2 3/4"	Semi-Deluxe	CYL, SK, 2-IC, LM, M
A21154	12	8lbs.	32"	2 3/4"	Semi-Deluxe	CYL, SK, 2-IC, LM, M
A21164	12	8lbs. 2oz.	34"	2 3/4"	Semi-Deluxe	CYL, SK, 2-IC, LM, M
A21344	20	7lbs. 6oz.	30"	2 3/4"	Semi-Deluxe	CYL, SK, 2-IC, LM, M
A21354	20	7lbs. 8oz.	32"	2 3/4"	Semi-Deluxe	CYL, SK, 2-IC, LM, M
A21544	28	7lbs. 4oz.	30"	2 3/4"	Semi-Deluxe	CYL, SK, 2-IC, LM, M
A21554	28	7lbs. 6oz.	32"	2 3/4"	Semi-Deluxe	CYL, SK, 2-IC, LM, M
A21654	.410	7lbs. 8oz.	32"	3"	Semi-Deluxe	CYL, SK, IC, M, IM, F
A21844	20/28	7lbs. 6oz. - 7lbs. 8oz.	30"	2 3/4"	Semi-Deluxe	CYL, SK, 2-IC, LM, M
A21854	20/28	7lbs. 6oz. - 7lbs. 9oz.	32"	2 3/4"	Semi-Deluxe	CYL, SK, 2-IC, LM, M
A21944	20/28/410	7lbs. 6oz. - 7lbs. 8oz.	30"	2 3/4" and 3"	Semi-Deluxe	CYL, SK, 2-IC, LM, M*
A21954	20/28/410	7lbs. 6oz. - 7lbs. 8oz.	32"	2 3/4" and 3"	Semi-Deluxe	CYL, SK, 2-IC, LM, M*

### SUMMIT LIMITED

A22144	12	7lbs. 14oz.	30"	2 3/4"	Deluxe	CYL, SK, 2-IC, LM, M
A22154	12	8lbs.	32"	2 3/4"	Deluxe	CYL, SK, 2-IC, LM, M
A22164	12	8lbs. 2oz.	34"	2 3/4"	Deluxe	CYL, SK, 2-IC, LM, M
A22344	20	7lbs. 6oz.	30"	2 3/4"	Deluxe	CYL, SK, 2-IC, LM, M
A22354	20	7lbs. 8oz.	32"	2 3/4"	Deluxe	CYL, SK, 2-IC, LM, M
A22544	28	7lbs. 4oz.	30"	2 3/4"	Deluxe	CYL, SK, 2-IC, LM, M
A22554	28	7lbs. 6oz.	32"	2 3/4"	Deluxe	CYL, SK, 2-IC, LM, M
A22644	.410	7lbs. 6oz.	30"	3"	Deluxe	CYL, SK, IC, M, IM, F
A22654	.410	7lbs. 8oz.	32"	3"	Deluxe	CYL, SK, IC, M, IM, F
A22844	20/28	7lbs. 6oz. - 7lbs. 8oz.	30"	2 3/4"	Deluxe	CYL, SK, 2-IC, LM, M
A22854	20/28	7lbs. 6oz. - 7lbs. 9oz.	32"	2 3/4"	Deluxe	CYL, SK, 2-IC, LM, M
A22944	20/28/410	7lbs. 6oz. - 7lbs. 8oz.	30"	2 3/4" and 3"	Deluxe	CYL, SK, 2-IC, LM, M*
A22954	20/28/410	7lbs. 6oz. - 7lbs. 8oz.	32"	2 3/4" and 3"	Deluxe	CYL, SK, 2-IC, LM, M*

### SUMMIT ASCENT

A2H145	12	8lbs. 4oz.	30"	2 3/4"	Semi-Deluxe	CYL, SK, 2-IC, LM, M
A2H155	12	8lbs. 6oz.	32"	2 3/4"	Semi-Deluxe	CYL, SK, 2-IC, LM, M

## Product Specifications and Codes

### CHALLENGER SPORTING

Product Code	Gauge	Weight	Barrel Length	Chamber Length	Wood Grade	Chokes
A2G144	12	7lbs. 14oz.	30"	2 3/4"	Deluxe	CYL, SK, 2-IC, LM, M
A2G154	12	8lbs.	32"	2 3/4"	Deluxe	CYL, SK, 2-IC, LM, M

### MAGNUS SPORTING

A23144	12	7lbs. 14oz.	30"	2 3/4"	Deluxe	CYL, SK, 2-IC, LM, M
A23154	12	8lbs.	32"	2 3/4"	Deluxe	CYL, SK, 2-IC, LM, M
A23164	12	8lbs. 2oz.	34"	2 3/4"	Deluxe	CYL, SK, 2-IC, LM, M
A23344	20	7lbs. 6oz.	30"	2 3/4"	Deluxe	CYL, SK, 2-IC, LM, M
A23354	20	7lbs. 8oz.	32"	2 3/4"	Deluxe	CYL, SK, 2-IC, LM, M
A23544	28	7lbs. 4oz.	30"	2 3/4"	Deluxe	CYL, SK, 2-IC, LM, M
A23554	28	7lbs. 6oz.	32"	2 3/4"	Deluxe	CYL, SK, 2-IC, LM, M
A23644	.410	7lbs. 6oz.	30"	3"	Deluxe	CYL, SK, IC, M, IM, F
A23654	.410	7lbs. 8oz.	32"	3"	Deluxe	CYL, SK, IC, M, IM, F
A23854	20/28	7lbs. 6oz. - 7lbs. 9oz.	32"	2 3/4"	Deluxe	CYL, SK, 2-IC, LM, M
A23954	20/28/410	7lbs. 6oz. - 7lbs. 8oz.	32"	2 3/4" and 3"	Deluxe	CYL, SK, 2-IC, LM, M*

### MAXUM SPORTING

A24144	12	7lbs. 14oz.	30"	2 3/4"	Deluxe	CYL, SK, 2-IC, LM, M
A24154	12	8lbs.	32"	2 3/4"	Deluxe	CYL, SK, 2-IC, LM, M
A24164	12	8lbs. 2oz.	34"	2 3/4"	Deluxe	CYL, SK, 2-IC, LM, M
A24354	20	7lbs. 8oz.	32"	2 3/4"	Deluxe	CYL, SK, 2-IC, LM, M
A24554	28	7lbs. 6oz.	32"	2 3/4"	Deluxe	CYL, SK, 2-IC, LM, M
A24654	.410	7lbs. 8oz.	32"	3"	Deluxe	CYL, SK, IC, M, IM, F
A24854	20/28	7lbs. 6oz. - 7lbs. 9oz.	32"	2 3/4"	Deluxe	CYL, SK, 2-IC, LM, M
A24954	20/28/410	7lbs. 6oz. - 7lbs. 8oz.	32"	2 3/4" and 3"	Deluxe	CYL, SK, 2-IC, LM, M*

### APEX SPORTING

A2C144	12	7lbs. 14oz.	30"	2 3/4"	Deluxe	CYL, SK, 2-IC, LM, M
A2C154	12	8lbs.	32"	2 3/4"	Deluxe	CYL, SK, 2-IC, LM, M

• Small gauges available on a special order basis.

### FORUM SPORTING

A25144	12	7lbs. 14oz.	30"	2 3/4"	Extra-Deluxe	CYL, SK, 2-IC, LM, M
A25154	12	8lbs.	32"	2 3/4"	Extra-Deluxe	CYL, SK, 2-IC, LM, M

• Small gauges available on a special order basis.

### SUMMIT IMPACT

Product Code	Gauge	Type	Weight	Barrel	Chamber	Wood Grade	Chokes
A21140	12	Over-and-under	8lbs. - 5oz.	30"	2 3/4"	Semi-Deluxe	CYL, SK, 2-IC, LM, M
A21150	12	Over-and-under	8lbs. - 6oz.	32"	2 3/4"	Semi-Deluxe	CYL, SK, 2-IC, LM, M
A21160	12	Over-and-under	8lbs. - 7oz.	34"	2 3/4"	Semi-Deluxe	CYL, SK, 2-IC, LM, M
A21350	20	Over-and-under	7lbs. - 11oz.	32"	2 3/4"	Semi-Deluxe	CYL, SK, 2-IC, LM, M

### SUMMIT IMPACT TYPE-T (TRAP)

Product Code	Type	Weight	Barrel Length	Chamber Length	Wood Grade	Chokes
E31160	Unsingle	8lbs. - 12oz.	34"	2 2/4"	Semi-Deluxe	M, IM, F
E31880	Over-and-Under Unsingle	8lbs. - 6oz. 8lbs. - 12oz.	32", 34"	2 2/4"	Semi-Deluxe	LM, M, IM, LF, F

### SUMMIT IMPACT TYPE-S (SKEET)

Product Code	Gauge	Weight	Barrel Length	Chamber Length	Wood Grade	Chokes
A41130	12	8lbs. 4oz.	28"	2 3/4"	Semi-Deluxe	2-CYL, 2-SK, 2-IC
A41140	12	8lbs. 5oz.	30"	2 3/4"	Semi-Deluxe	2-CYL, 2-SK, 2-IC

### CHALLENGER IMPACT

A2G140	12	8lbs. 5oz.	30"	2 3/4"	Deluxe	CYL, SK, 2-IC, LM, M
A2G150	12	8lbs. 6oz.	32"	2 3/4"	Deluxe	CYL, SK, 2-IC, LM, M

### CHALLENGER IMPACT TYPE-S (SKEET)

A4G130	12	8lbs. 4oz.	28"	2 3/4"	Deluxe	2-CYL, 2-SK, 2-IC
A4G140	12	8lbs. 5oz.	30"	2 3/4"	Deluxe	2-CYL, 2-SK, 2-IC

### CHALLENGER IMPACT TYPE-T (TRAP)

Product Code	Type	Weight	Barrel Length	Chamber Length	Wood Grade	Chokes
E3G160	Unsingle	8lbs. 12oz.	34"	2 3/4"	Deluxe	M, IM, F
E3G180	Over-and-Under Unsingle	8lbs. 6oz. , 8lbs. 12oz.	32" - 34"	2 3/4"	Deluxe	LM, M, IM, LF, F

### MAXUM IMPACT

Product Code	Gauge	Type	Weight	Barrel	Chamber	Wood Grade	Chokes
A24140	12	Over-and-under	8lbs. - 5oz.	30"	2 3/4"	Deluxe	CYL, SK, 2-IC, LM, M
A24150	12	Over-and-under	8lbs. - 6oz.	32"	2 3/4"	Deluxe	CYL, SK, 2-IC, LM, M
A24160	12	Over-and-under	8lbs. - 7oz.	34"	2 3/4"	Deluxe	CYL, SK, 2-IC, LM, M
A24350	20	Over-and-under	7lbs. - 11oz.	32"	2 3/4"	Deluxe	CYL, SK, 2-IC, LM, M



# Product Specifications and Codes

## MAXUM IMPACT TYPE-T (TRAP)

Product Code	Type	Weight	Barrel Length	Chamber Length	Wood Grade	Chokes
E34160	Unsingle	8lbs. - 12oz.	34"	2 2/4"	Deluxe	M, IM, F
E34880	Over-and-Under Unsingle	8lbs. - 6oz. 8lbs. - 12oz.	32", 34"	2 2/4"	Deluxe	LM, M, IM, LF, F

## SUMMIT TRAP

A31147	Over-and-under	8lbs. 13oz.	30"	2 3/4"	Semi-Deluxe	LM, M, IM, LF, F
A31157	Over-and-under	8lbs. 15oz.	32"	2 3/4"	Semi-Deluxe	LM, M, IM, LF, F
E31157	Unsingle	8lbs. 14oz.	32"	2 3/4"	Semi-Deluxe	M, IM, F
E31167	Unsingle	9lbs.	34"	2 3/4"	Semi-Deluxe	M, IM, F
E31167T	Top Single	8lbs. 14oz.	34"	2 3/4"	Semi-Deluxe	M, IM, F
E31887T	Combo Set (TS)	8lbs. 15oz., 8lbs. 14oz.	32" - 34"	2 3/4"	Semi-Deluxe	LM, M, IM, LF, F
E31877	Combo Set (Un.)	8lbs. 13oz., 8lbs. 14oz.	30" - 32"	2 3/4"	Semi-Deluxe	LM, M, IM, LF, F
E31887	Combo Set (Un.)	8lbs. 15oz., 9lbs.	32" - 34"	2 3/4"	Semi-Deluxe	LM, M, IM, LF, F
E31897	Combo Set (Un.)	8lbs. 13oz., 9lbs.	30" - 34"	2 3/4"	Semi-Deluxe	LM, M, IM, LF, F

## CHALLENGER TRAP

A3G157	Over-and-under	8lbs. 15oz.	32"	2 3/4"	Deluxe	LM, M, IM, LF, F
E3G167	Unsingle	9lbs.	34"	2 3/4"	Deluxe	M, IM, F
E3G187	Over-and-Under Unsingle	8lbs. 15oz., 9lbs	32" - 34"	2 2/4"	Deluxe	LM, M, IM, LF, F

## MAGNUS TRAP

A33147	Over-and-under	8lbs. 13oz.	30"	2 3/4"	Deluxe	LM, M, IM, LF, F
A33157	Over-and-under	8lbs. 15oz.	32"	2 3/4"	Deluxe	LM, M, IM, LF, F
E33157	Unsingle	8lbs. 14oz.	32"	2 3/4"	Deluxe	M, IM, F
E33167	Unsingle	9lbs.	34"	2 3/4"	Deluxe	M, IM, F
E33167T	Top Single	8lbs. 14oz.	34"	2 3/4"	Deluxe	M, IM, F
E33887T	Combo Set (TS)	8lbs. 15oz., 8lbs. 14oz.	32" - 34"	2 3/4"	Deluxe	LM, M, IM, LF, F
E33877	Combo Set (Un.)	8lbs. 13oz., 8lbs. 14oz.	30" - 32"	2 3/4"	Deluxe	LM, M, IM, LF, F
E33887	Combo Set (Un.)	8lbs. 15oz., 9lbs.	32" - 34"	2 3/4"	Deluxe	LM, M, IM, LF, F
E33897	Combo Set (Un.)	8lbs. 13oz., 9lbs.	30" - 34"	2 3/4"	Deluxe	LM, M, IM, LF, F

## MAXUM TRAP

A34147	Over-and-under	8lbs. 13oz.	30"	2 3/4"	Deluxe	LM, M, IM, LF, F
A34157	Over-and-under	8lbs. 15oz.	32"	2 3/4"	Deluxe	LM, M, IM, LF, F
E34157	Unsingle	8lbs. 14oz.	32"	2 3/4"	Deluxe	M, IM, F
E34167	Unsingle	9lbs.	34"	2 3/4"	Deluxe	M, IM, F
E34167T	Top Single	8lbs. 14oz.	34"	2 3/4"	Deluxe	M, IM, F
E34887T	Combo Set (TS)	8lbs. 15oz., 8lbs. 14oz.	32" - 34"	2 3/4"	Deluxe	LM, M, IM, LF, F
E34877	Combo Set (Un.)	8lbs. 13oz., 8lbs. 14oz.	30" - 32"	2 3/4"	Deluxe	LM, M, IM, LF, F
E34887	Combo Set (Un.)	8lbs. 15oz., 9lbs.	32" - 34"	2 3/4"	Deluxe	LM, M, IM, LF, F
E34897	Combo Set (Un.)	8lbs. 15oz., 9lbs.	30" - 34"	2 3/4"	Deluxe	LM, M, IM, LF, F

## APEX TRAP

E3C167	Unsingle	9lbs.	34"	2 3/4"	Deluxe	M, IM, F
E3C167T	Top Single	8lbs. 14oz.	34"	2 3/4"	Deluxe	M, IM, F
E3C887T	Combo Set (TS)	8lbs. 15oz., 8lbs. 14oz.	32" - 34"	2 3/4"	Deluxe	LM, M, IM, LF, F
E3C887	Combo Set (Un.)	8lbs. 15oz., 9lbs.	32" - 34"	2 3/4"	Deluxe	LM, M, IM, LF, F

## FORUM TRAP

E35167	Unsingle	9lbs.	34"	2 3/4"	Extra-Deluxe	M, IM, F
E35167T	Top Single	8lbs. 14oz.	34"	2 3/4"	Extra-Deluxe	M, IM, F
E35887T	Combo Set (TS)	8lbs. 15oz., 8lbs. 14oz.	32" - 34"	2 3/4"	Extra-Deluxe	LM, M, IM, LF, F
E35887	Combo Set (Un.)	8lbs. 15oz., 9lbs.	32" - 34"	2 3/4"	Extra-Deluxe	LM, M, IM, LF, F

## STOCK DIMENSIONS\*\*

MODEL	DROP @ COMB	DROP @ HEEL	L.O.P.	CAST	PITCH
Field Guns	1.5"	2.25"	14.6"	.2"	6"
Sporting Clays Guns	1.5"	2.25"	14.8"	.3"	5"
Impact Guns	1.2" - 1.6"	2.25"	14.8"	.3"	5"
Trap Guns	1" - 1.5"	2.25"	14.8"	.2"	5"

\*The choke tubes for the .410 gauge are CYL, SK, IC, M, IM, F.

\*\*Stock dimensions may change without notice.

•All Trap models are 12 gauge





# Introducing the Caesar Guerini Custom Shop

Commitment, Passion, and Craftsmanship are the three words that embody the new Caesar Guerini Custom Shop. In our commitment to be the best at what we do Caesar Guerini has created a new state of the art gunsmithing facility and recruited top gunsmiths to serve our customers. We have a passion for exceeding our customers' expectations by creating new features and services at very competitive prices. Old world craftsmanship still exists at Caesar Guerini, and this dictates we do the job with traditional techniques and workmanship. If you are looking for a special shotgun crafted to your specifications, contact us to speak with one of our gunsmiths.

## WOODCRAFT

- Custom stock made to customer's specifications
- Custom stock with DTS adjustable comb
- Custom Gun Fitting charge (waived with purchase of new shotgun)
- Custom Checkering Pattern
- Wood upgrades
- Completely refinish your Caesar Guerini "Supreme" oil finish including 20 or more coats of oil.
- Standard stock refinishing
- Re-cut checkering
- Add a silver stock medallion to your existing Caesar Guerini stock
- Add a brass stock medallion to your existing Caesar Guerini stock
- Reshape and refinish your existing Caesar Guerini comb to your custom stock dimensions
- Install thicker wooden butt plates for longer length of pull on field models
- Install DTS Kinetic Balancer in Caesar Guerini
- Install DTS Kinetic Balancer in other brand stock

## ENGRAVING

- Custom engraving
- Create your own custom engraved side plates
- Your initials inlayed in gold on the trigger guard
- Presentation engraving on the trigger guard for such occasions as Retirement, Birthday, Graduation, etc.
- Create that special sentimental gift
- Engrave your initials in a stock medallion

## OPTIONAL CUSTOMIZING

- Install custom leather covered recoil pads
- Installation Pachmayer or Kick-Eze recoil pads - Pads quoted separately
- Install adjustable recoil pads
- Spacers to increase length of pull - (does not include pad)
- Reblue O/U barrels
- Rust blue barrels
- Reblue steel fore-end irons, trigger guard, and top lever
- Rust blue steel fore-end irons, trigger guard, and top lever
- Re-jewel barrel flats
- Refinish metal and wood back to Factory Fresh
- Test fire gun for pattern
- Internal detailing / polishing internal parts

## SERVICES

- All non-warranty work (per hour)
- Fit barrels
- Fit barrel and fore-end
- Install Double release trigger (including parts)
- Install Single release trigger (including parts)
- Install double triggers (including parts) 12 gauge only
- Install automatic safety (including parts)
- Remove Automatic Safety
- Fit stock and fore-end
- Install safety with selector
- Convert release back to pull
- Install long comb posts to existing Guerini adjustable combs for added height
- Replace trap top rib



# Caesar Guerini Accessories & Apparel



## BARRELS

- Field Barrel (12, 20, 28, and .410 gauge. Available in 26", 28", and 30".)
- Solid/Tapered Top Rib for Field Barrel (12, 20, 28, and .410 gauge in 28" only.)
- Sporting Barrel (12, 20, 28, and .410 gauge) available in 30", 32" and 34" - 34" in 12 gauge only.
- Impact O/U adjustable rib barrel in 12 gauge 30", 32", and 34"
- Impact O/U adjustable rib barrel in 20 gauge 32".
- Impact unsingle adjustable rib barrel in 12 gauge 34".
- Adjustable rib unsingle trap barrel in 32" and 34".
- Adjustable rib O/U trap barrels in 30" and 32".
- Field Combination Set, barrel & fore-end: all models, gauges, and barrel lengths.
- Sporting Combination Set, barrel & fore-end: all models, gauges, and barrel lengths.

\* Fitting is required for all extra barrels and fore-ends. Choke tubes not included.

## WOOD

- Field model stocks are available in all grades and gauges.
- Sporting clay stocks are available in all grades and gauges.
- DTS adjustable comb trap stocks available in all grades, in 12 gauge only.
- English style straight grip stocks are available in all grades and gauges.
- Left hand stocks are available as an option.

- Fore-ends are available in all grades and gauges.
- Wood Butt Plate (Unfinished)
- Rubber Recoil Pad (Unfinished)
- Caesar Guerini Stock Finish, 6 oz.

\* Replacement stock and/or fore-end requires fitting.

## CAESAR GUERINI GUN CASES

- Standard Fitted Hard Case with locks (up to 30" barrels).
- Standard Fitted Hard Case (up to 34" barrels).
- Combination Case (2 barrels).
- Combination Case (3 barrels).

### Caesar Guerini Custom Americases:

- Single barrel up to 30" barrels.
- Single barrel up to 34" barrels.
- Two barrel Combo up to 30" barrels.
- Two barrel Combo up to 34" barrels.
- Single barrel high rib trap up to 34".
- Two barrel combo, high rib trap up to 34".

## MISC. ACCESSORIES

- Maxis Competition Chokes, 12 gauge only.
- CCP Competition Choke Tube (12, 20, 28 and .410 gauge).
- Selecta Choke, flush fitting (12, 20, 28 and .410 gauge).
- Choke Wrench-Selecta Choke (12, 20, 28 and .410 gauge).
- Friction Choke Wrench-Maxis and CCP competition chokes.

- Choke Tube Case for competition chokes.
- Choke Tube Case for Selecta Choke.
- DTS multi wrench.
- T-handle Stock Wrench.
- DTS Kinetic Balancer.
- DTS Kinetic Balancer, 12 gauge.
- Cloth Gun Sleeves.
- Automatic Safety (as option on new gun).
- Double Triggers (12 gauge only).
- Caesar Guerini snap caps, 12 gauge only.
- Caesar Guerini Baseball Cap.
- Red and slate grey competition shooting vest.
- Green and khaki competition shooting vest.
- Caesar Guerini T-Shirt.
- Caesar Guerini polo shirt.
- Owners Manual.

## SERVICES

- Fit Barrel.
- Fit Barrel and Fore-end.
- Fit Stock and Fore-end.
- Tighten Action.
- Install single or double release trigger.
- Install Double Trigger.
- Install Automatic Safety.
- All other non-warranty work "per hour".







# WARRANTY & PROGRAMS

## LIMITED LIFETIME WARRANTY

CAESAR GUERINI U.S.A., LLC, a Maryland limited liability company (the "Distributor") is the proud distributor of the firearm which you have purchased manufactured by Caesar Guerini s.r.l. (the "Manufacturer"). In our desire to provide you with superior customer service in connection with your firearm, the Distributor wishes to provide you the following extended warranty for your firearm which is, in addition to, and exceeds the Manufacturer's warranty which you received with your firearm at the time of purchase.

To benefit from this Distributor's warranty, you will need to complete and return to the Distributor the Distributor Registration Card by certified or registered mail within thirty (30) days of date of purchase.

THE DISTRIBUTOR WARRANTS THAT THIS FIREARM WAS MANUFACTURED FREE OF DEFECTS IN MATERIAL OR WORKMANSHIP WHICH ADVERSELY AFFECTS THE OPERATION OF YOUR FIREARM FOR THE SHORTER OF THE LIFE OF THE PARTS OR THE ORIGINAL OWNER. THIS WARRANTY IS NON-TRANSFERABLE AND IS LIMITED TO THE ORIGINAL PERSONAL RETAIL PURCHASER. SUBJECT TO SUCH LIMITATIONS AS ARE SET OUT BELOW, THE DISTRIBUTOR AGREES TO CORRECT ANY DEFECT IN MATERIAL OR WORKMANSHIP IN YOUR FIREARM WHICH ADVERSELY AFFECTS THE OPERATION OF YOUR FIREARM, AS DETERMINED BY THE DISTRIBUTOR'S TECHNICIANS, BY REPAIR OR REPLACEMENT (AT DISTRIBUTOR'S DISCRETION, AND IF THE FIREARM IS TO BE REPLACED, WITH THE SAME OR COMPARABLE QUALITY FIREARM).

The Distributor does not warrant the wood (stock or fore-end), or metal finish with respect to finish, matching of pieces, dents, scratches, cuts, dings, etc. which are or should be apparent to the purchaser when the product is purchased or which occur after purchase. It is the customer's responsibility to inspect this particular product prior to purchase to ensure that it is free from defects or damage. This Warranty is effective from the date of the original retail purchase of the firearm.

THE DISTRIBUTOR ASSUMES NO RESPONSIBILITY FOR FIREARM MALFUNCTION OR FOR PERSONAL INJURY OR PROPERTY DAMAGE OR DEATH RESULTING IN WHOLE OR IN PART FROM CRIMINAL OR NEGLIGENT USE OF THE FIREARM, IMPROPER OR CARELESS HANDLING, FAILURE TO PERFORM PRESCRIBED MAINTENANCE AS SET FORTH IN THE USER AND MAINTENANCE MANUAL ATTACHED TO YOUR FIREARM AT THE TIME OF PURCHASE, UNAUTHORIZED MODIFICATIONS, USE OF DEFECTIVE,

IMPROPER HAND LOADED, RELOADED OR REMANUFACTURED AMMUNITION, CUSTOMER ABUSE OR NEGLECT OF THE PRODUCT OR OTHER INFLUENCES BEYOND THE DISTRIBUTOR'S DIRECT AND IMMEDIATE CONTROL. THIS WARRANTY DOES NOT APPLY TO NORMAL WEAR AND TEAR OF ANY PARTS, INCLUDING METAL, WOOD, PLASTIC, RUBBER, SURFACE FINISH OR OTHER MATERIALS, OR IF UNAUTHORIZED REPAIR AND/OR ALTERATION HAS BEEN PERFORMED.

THE DISTRIBUTOR'S WARRANTY IS LIMITED TO THE WARRANTY PROVIDED HEREIN AND THE DISTRIBUTOR DOES NOT MAKE ANY IMPLIED WARRANTIES, INCLUDING IMPLIED WARRANTIES OF MERCHANTABILITY OR FOR FITNESS FOR A PARTICULAR PURPOSE. THE DISTRIBUTOR SHALL HAVE NO RESPONSIBILITY FOR CONSEQUENTIAL OR INCIDENTAL DAMAGES OR EXPENSES.

This Distributor's Warranty cannot be changed except in writing by an authorized officer of the Distributor. Any warranty repair approved to be made to your firearm may only be made by an authorized repair facility. Dealers or gunsmiths (unless they are an approved repair facility) are not authorized to make any repair or adjustment on behalf of Distributor.

If your firearm should require warranty repairs, please contact the Distributor at the contact information on the attached "Warranty Assistance Sheet" and comply with the return instructions set forth thereon.

## PITSTOP MAINTENANCE PROGRAM

*What is it?* It is dedication to our customers that is unprecedented in the firearms industry. It is a belief that service does not end when the sale is finished. It is a promise to you that when you invest in a high quality Caesar Guerini shotgun you are going to get service that protects your investment and assures maximum performance from your firearm.

- As the original owner of a Caesar Guerini shotgun you can send your firearm to us once a year for a free service and tune-up. (up to three times)
- Your only cost is shipping.

The Pit Stop program is a great way to have your gun in top condition for the upcoming hunting or target season.





## CAESAR GUERINI: BRESCIA, ITALY



### Caesar Guerini: Brescia, Italy

Caesar Guerini's modern manufacturing facility successfully combines legendary Italian gunmakers' craftsmanship with technologically state-of-the-art processes to produce firearms unequalled for their performance, beauty and value. Our penchant for precision and perfection is reflected through the more than 256 inspection points that every firearm passes. Every Caesar Guerini Over and Under is indeed a modern classic, a functional example of Italian art.



### Caesar Guerini Accolades:



- **Outdoor Life Magazine**  
"Editors Choice" 2003, 2007, 2009, 2011
- **Field & Stream Magazine**  
"Best of the Best" 2003, 2008, 2010
- **Sporting Classics Magazine**  
"Award of Excellence" 2005
- **Garden & Gun Magazine**  
"Editors Choice" 2009





700 Lake Street  
Cambridge, MD 21613  
tel: (410) 901-1131  
fax: (410) 901-1137  
[www.guerinusa.com](http://www.guerinusa.com)